



- Optical Principle
- Incremental measurement
- 30 up to 42 mm shaft diameters
- 1.024 pulse standard resolutions
- 300 KHz replying frequency
- 100 mm body size

TECHNICAL SPECIFICATIONS

Process Temperature	- 25 to 85 °C
Stock Temperature	- 40 to 100 °C
Body	100 mm Diameter
Replying Frequency	300 Khz
Working Speed	6.000 RPM max.
Shaft Diameter	30 mm, 32 mm, 38 mm, 40 mm, 42 mm

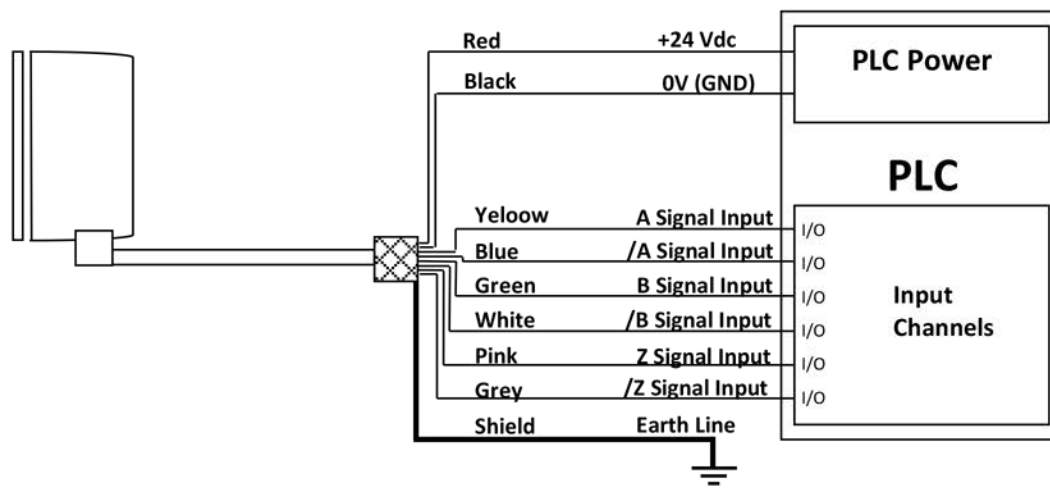
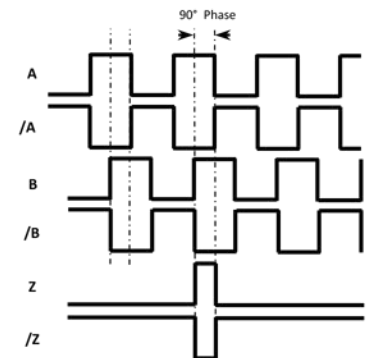
ELECTRICAL SPECIFICATIONS

Supply Voltage	+5 VDC, +10VDC...30VDC
Supply Current	50mA Nominal
Output Type	Push Pull, TTL Line Driver, Open Collector
Output Signals	A, /A, B, /B, Z, /Z
Output Current	100mA max. (Every Channel)
Connection	5 or 8 x 0,14 mm ² Cable with Shield

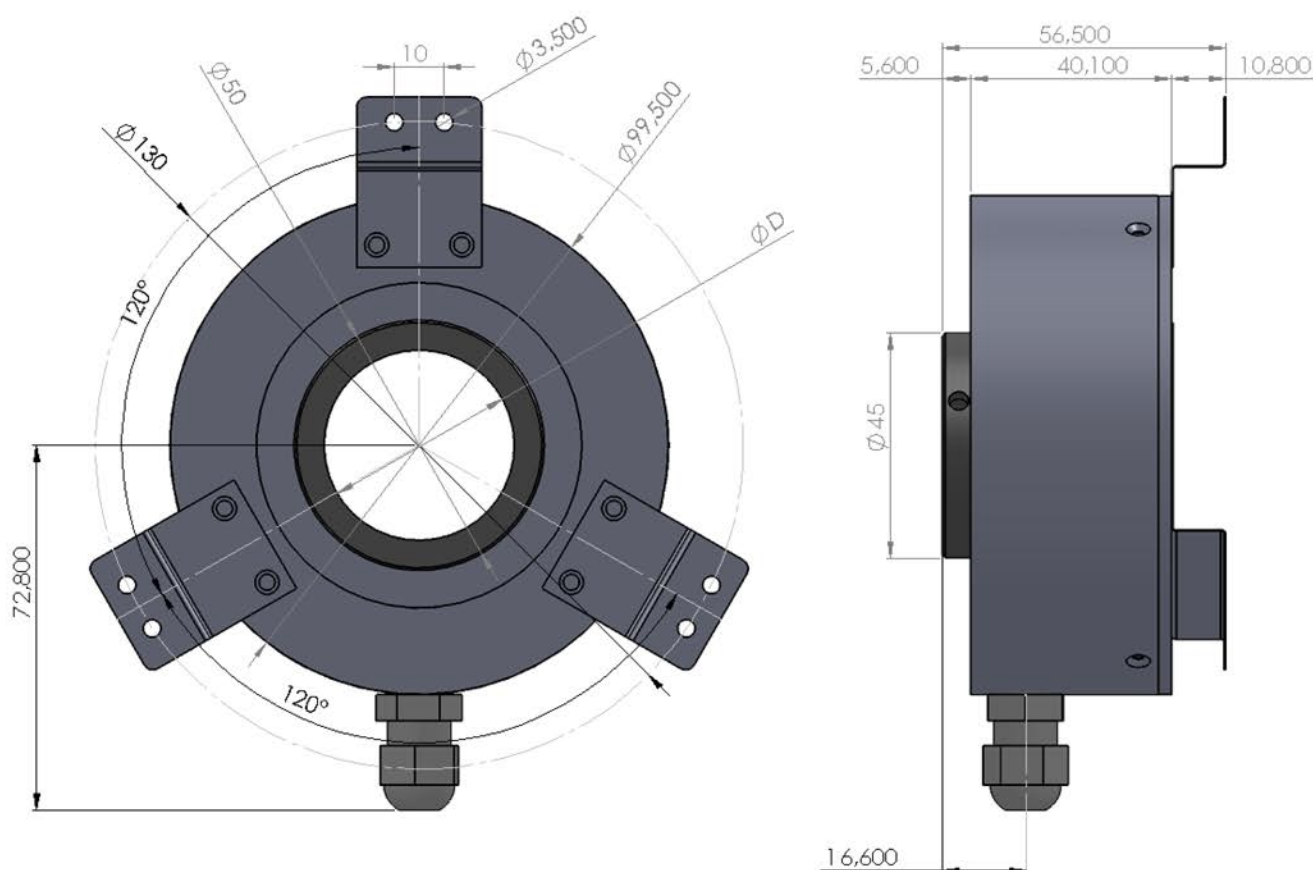
OUTPUT SIGNALS

PIN NO	SIGNAL	CABLO COLOR
1	A	YELLOW
2	/B	WHITE
3	+V	RED
4	0 V	BLACK
5	/A	BLUE
6	B	GREEN
7	/Z	GREY
8	Z	PINK
9	GROUND	SHIELD

In the left tablet he cable colors of sensors output signals are given. If the control circuit is suitable in the Line Driver sensors of the not output signals (/A, /B, /Z) have to be added to the system. If it is not suitable /A, /B, /Z signal cables must be fixed as insulated separately. Don't forget that these edges have electricity too.



MECHANICAL DIMENSIONS



ORDER CODING

Series	Body Size	Resolutions	Power Supply and Output	Output Signals	Cable Length	Hole Diameter	Flange Type	
ARC : Optical	100 : 100 mm	1024 : 1024 Pulse Please ask us for other resolutions	PP : 10...30 VDC Supply : 10...30VDC Output TTL : 5 VDC Supply : 5 VDC TTL Output HTL : 10...30 VDC Supply : 5 VDC TTL Output HPL : 5...24 VDC Supply : 5...24 VDC Push-Pull Output OCL : Open Collector	3 : A, B, Z 6 : A, /A, B, /B, Z, /Z	3M : 3M (Standard) 5M : 5M 8M : 8M 10M : 10M * Optional up to 35 meters	30 : 30 mm 32 : 32 mm 38 : 38 mm 40 : 40 mm 42 : 42 mm	FZ : "Z" Type Flange	
ARC	H	100	XXX	XXX	X	XM	X	XX
	Shaft Type H : Hollow Shaft							

Iran Agent

Atek Sensor Technology A.S.



tel: 02166 3939 00-1
mob: 0912 147 3023
www.IranAtek.ir

Tuzla Kimya Sanayicileri Org. San. Bolg. Melek Aras Bulvarı, No:67 34956 Tuzla - Istanbul / TURKEY
Tel: +90 216 399 44 04 Fax: +90 216 399 44 02
www.ateksensor.com info@ateksensor.com